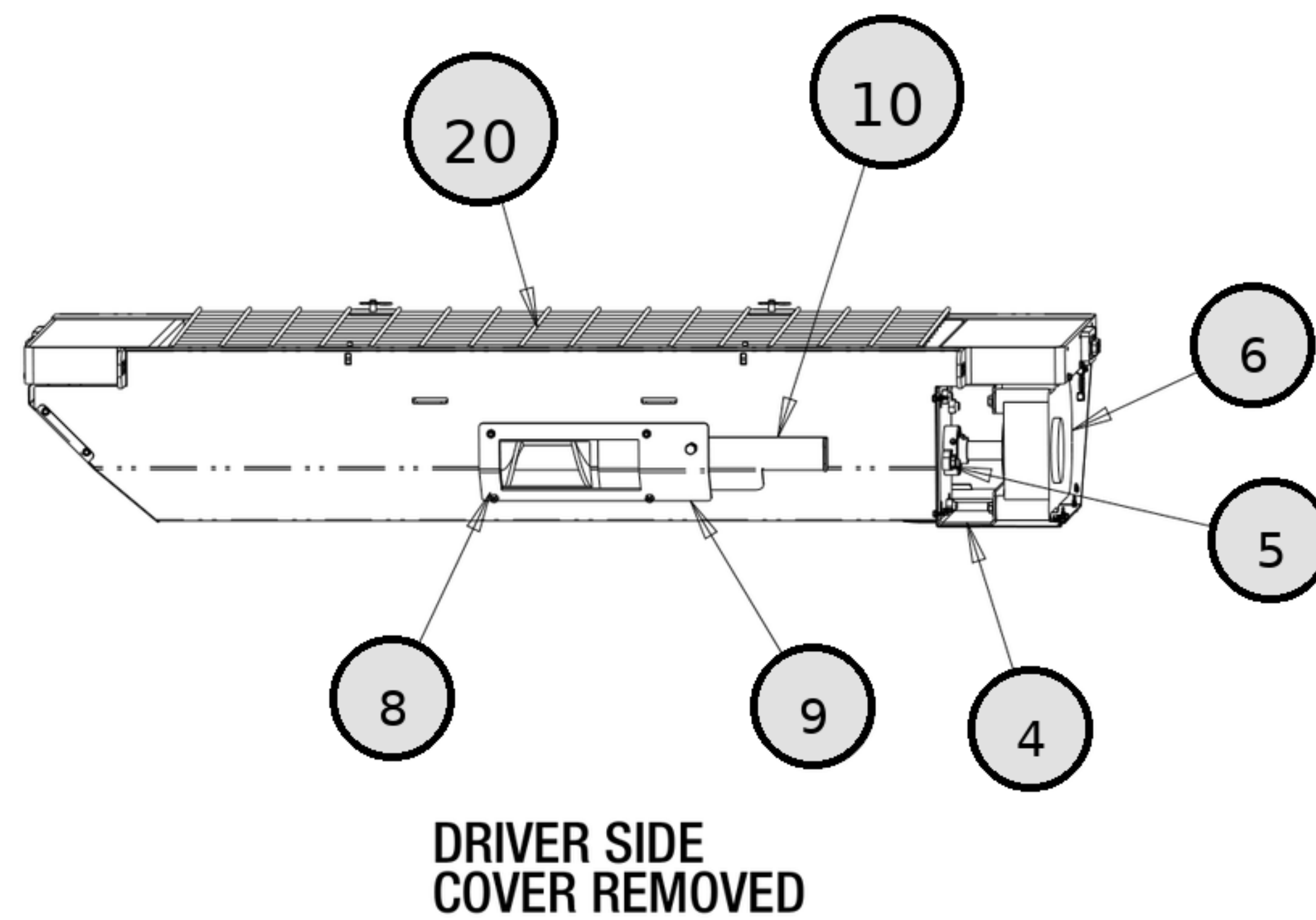
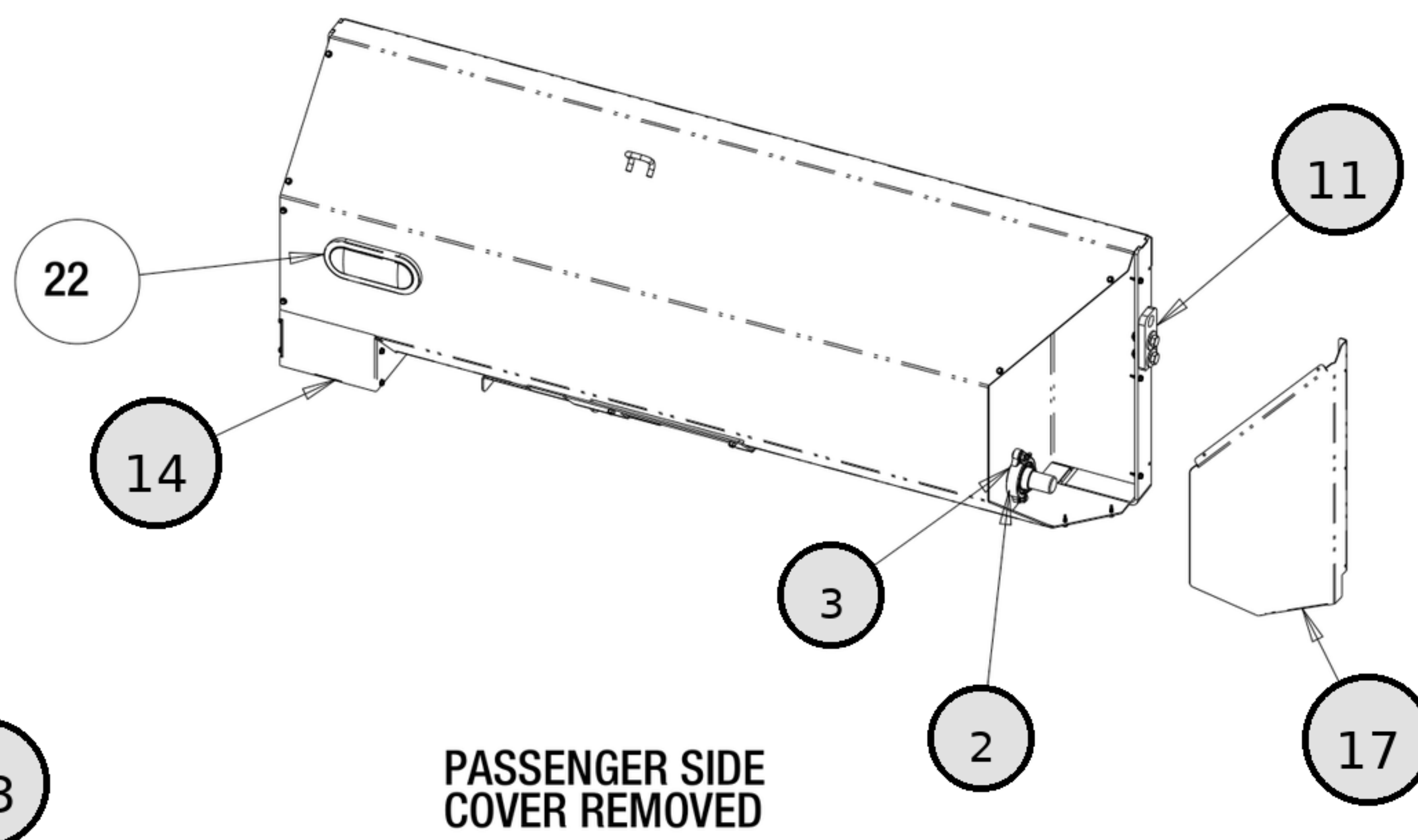
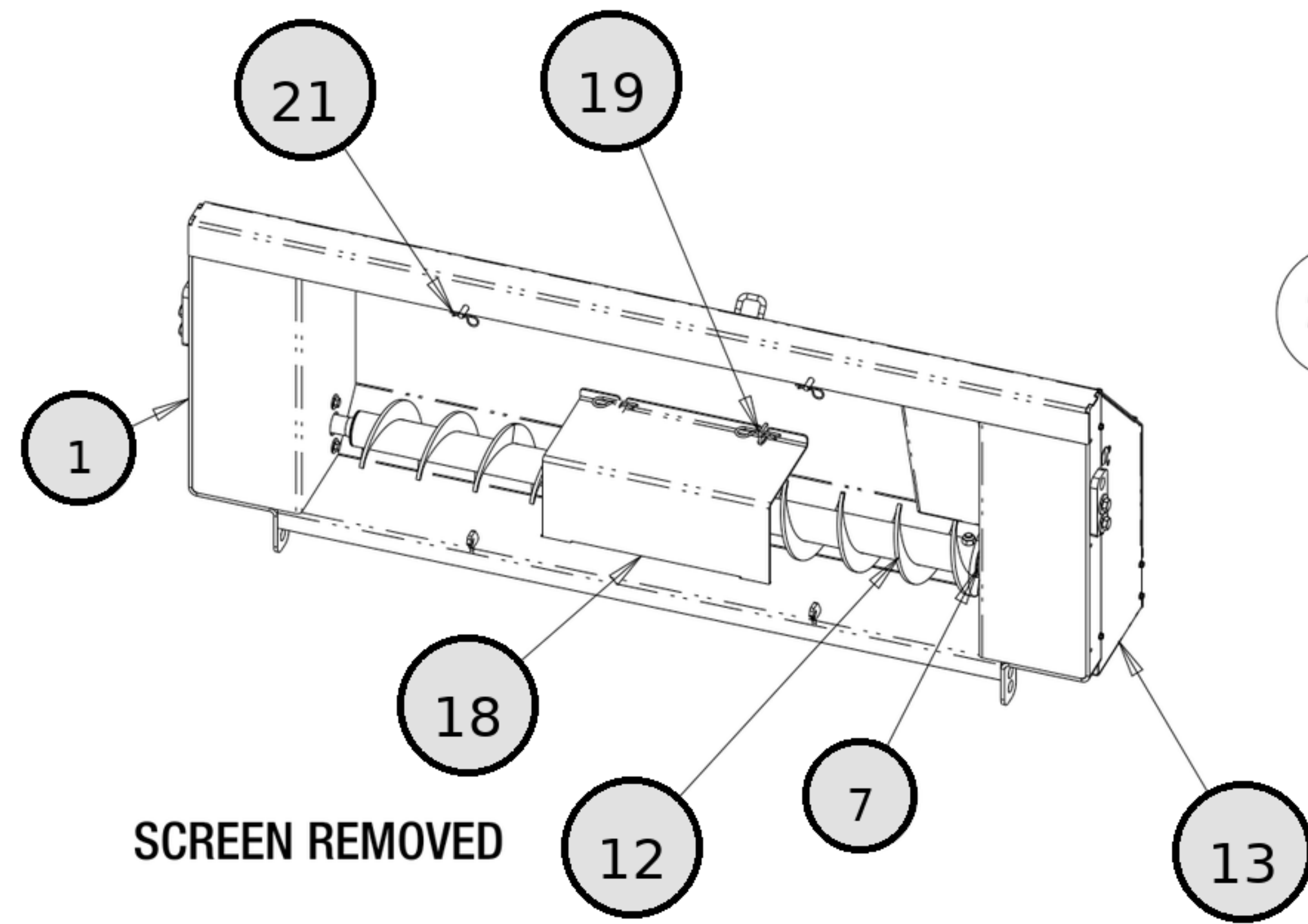




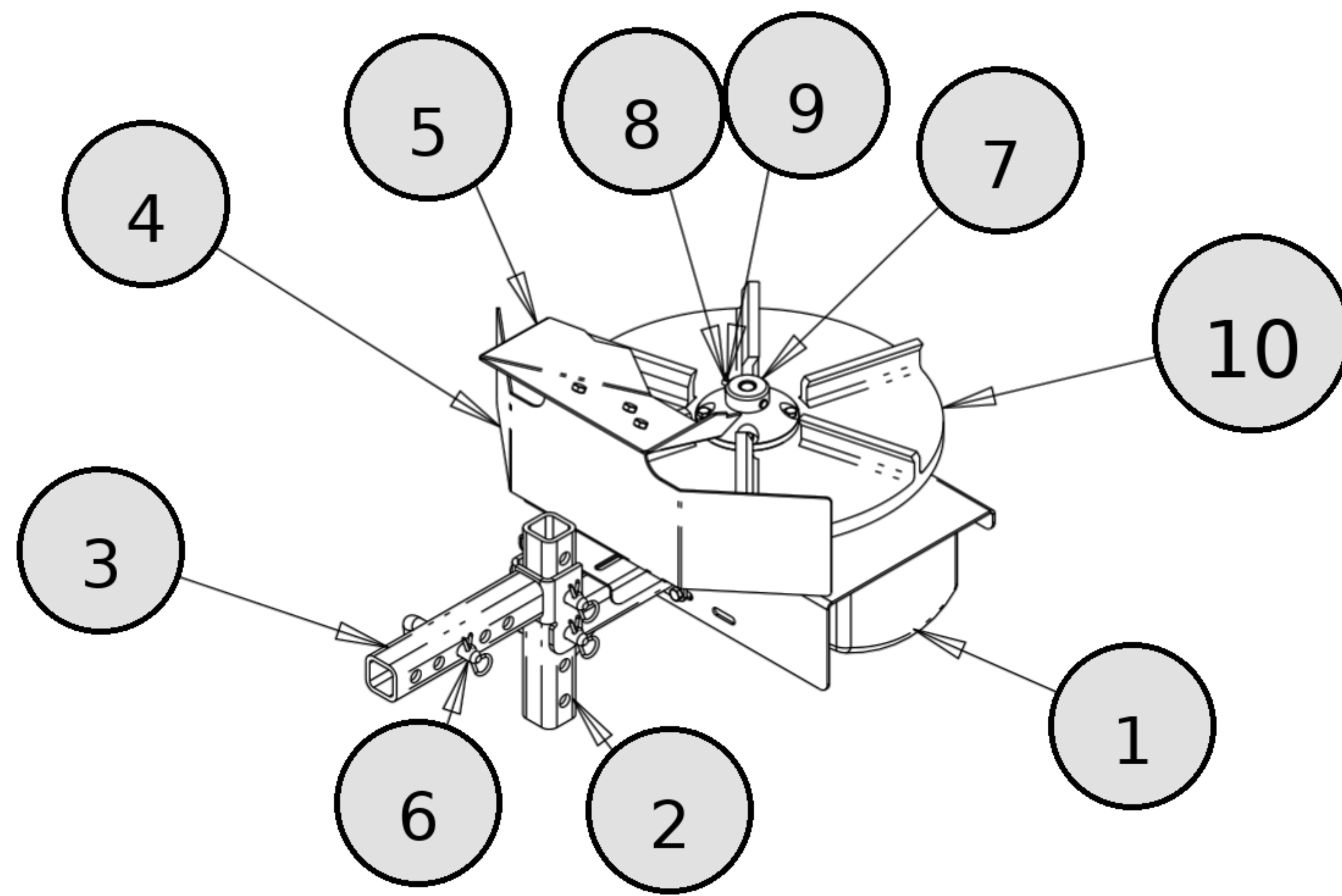
RTS SPREADERS

FIGURE LIST

Page	Description
1	5535002 MAIN ASSEMBLY
2	5535002 SPINNER ASSEMBLY (CURRENT)
3	9035101 9035100 SPREADER ASSEMBLY
4	9035101 9035100 SPINNER FRAME (CURRENT)
5	9035101 9035100 SPINNER MOTOR ASSEMBLY (CURRENT)
6	9035101 9035100 HARDWARE KIT (CURRENT)
7	9035101 9035100 HARDWARE BOX CONTENTS
8	9035101 9035100 SPINNER MOTOR ASSEMBLY
9	9035101 9035100 SPINNER FRAME
10	9035103 9035102 SPREADER ASSEMBLY
11	9035103 9035102 SPINNER ASSEMBLY
12	9035103 9035102 HARDWARE BOX CONTENTS



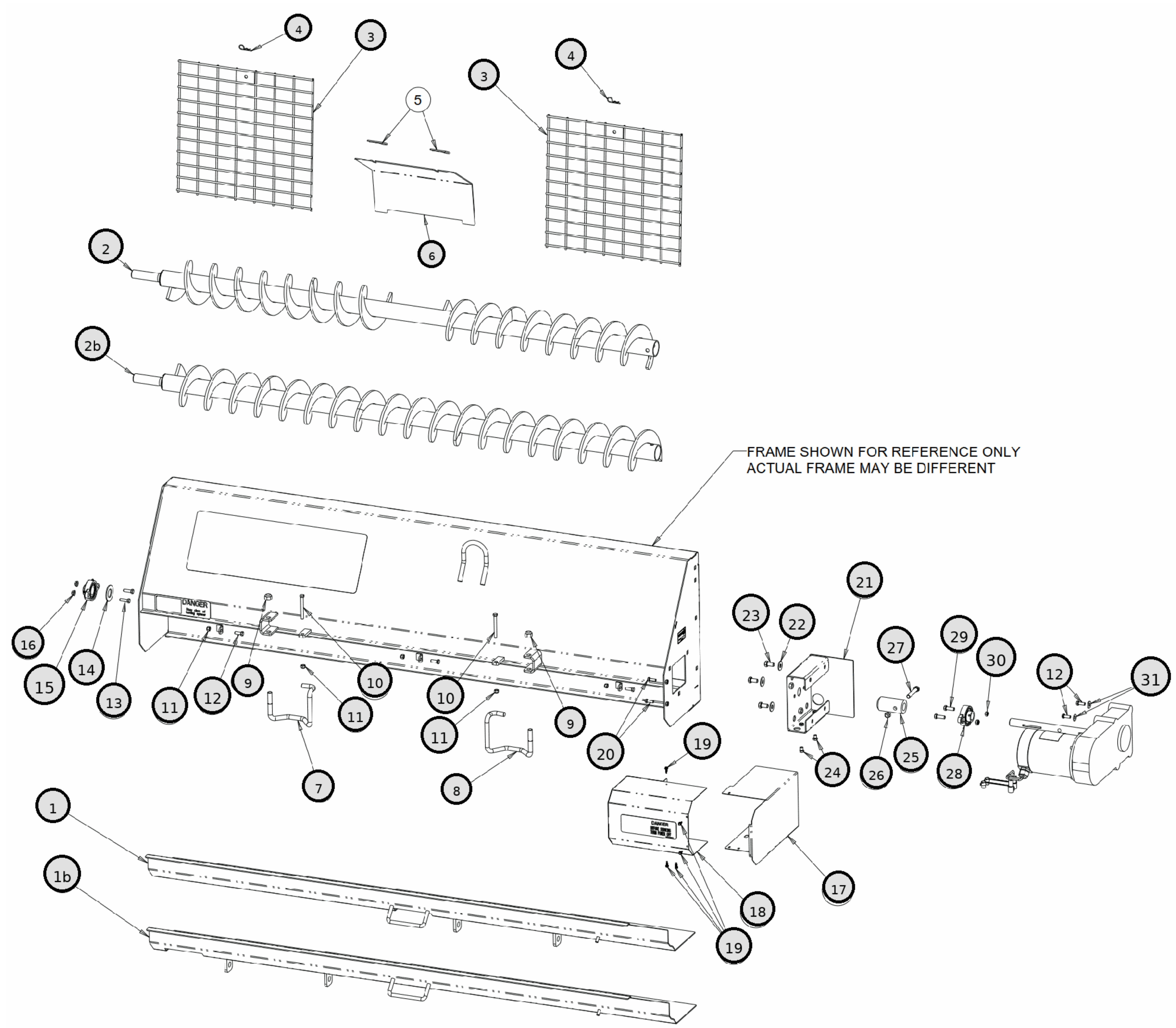
REF	PN	DESCRIPTION
1	3050152	HOUSING, WELDMENT, TG SPREADER
2	9240087	GASKET, FELT BEARING
3	9240086	BEARING, 1-1/4 FLANGE 2 HOLE
4	3050162	BRACKET WELDMENT, GEARBOX
5	1410200	BEARING, FLANGED 1-1/8"
6	3013821	GEAR MOTOR CONVEYOR 12 VDC
7	3014858	SLEEVE, AUGER ADAPTER
8	3015765	GUIDE, DOOR, TG SPREADER
9	3015776	DOOR GUIDE, WELDMENT
10	3015766	DOOR, TG SPREADER
11	3050582	PLATE, ADAPTER, SPREADER MOUNT SST
12	3050149	AUGER, WELDMENT, RTS CTR DISCHARGE
13	3050160	COVER PANEL, OUTER, DR SIDE
14	3050161	COVER, MOTOR, REAR, TG SPREADER
15	3017483	PLUG 1.00" DOME HEYCO 1702
16	3017982	WIRE BUSHING OPEN/CLOSED HEYCO 2867
17	3050163	COVER PANEL, OUTER, PS SIDE
18	3050428	PLATE, AUGER COVER, RTS
19	HP12	PIN, HAIR COTTER 5/32" ZN 3.25 OAL
20	3050443	SCREEN, WELDMENT, RTS
21	1420016	PIN, HAIR COTTER, CLEAR ZINC



REF	PN	DESCRIPTION
1	3051060	MOTOR ASSEMBLY, SPINNER REC. MOUNT
2	3051058	MOUNT, WELDMENT, SPINNER MOTOR
3	3051053	MOUNT, WELDMENT, 2IN RECEIVER
4	3051061	SHIELD, SPINNER
5	3051067	GUIDE, MATERIAL, REC. MOUNT SPINNER ASSY
6	HP6253WC	HITCH PIN WITH HP COTTER
7	3030182	HUB, SPINNER POLY
8	3007113	PIN, CLEVIS, 5/16 X 2-1/2, .141 HOLE ZN
9	3014994	PIN, COTTER, 1/8IN X 1IN SST
10	3030179	SPINNER 18" POLY CW

SPINNER ASSEMBLY (CURRENT)

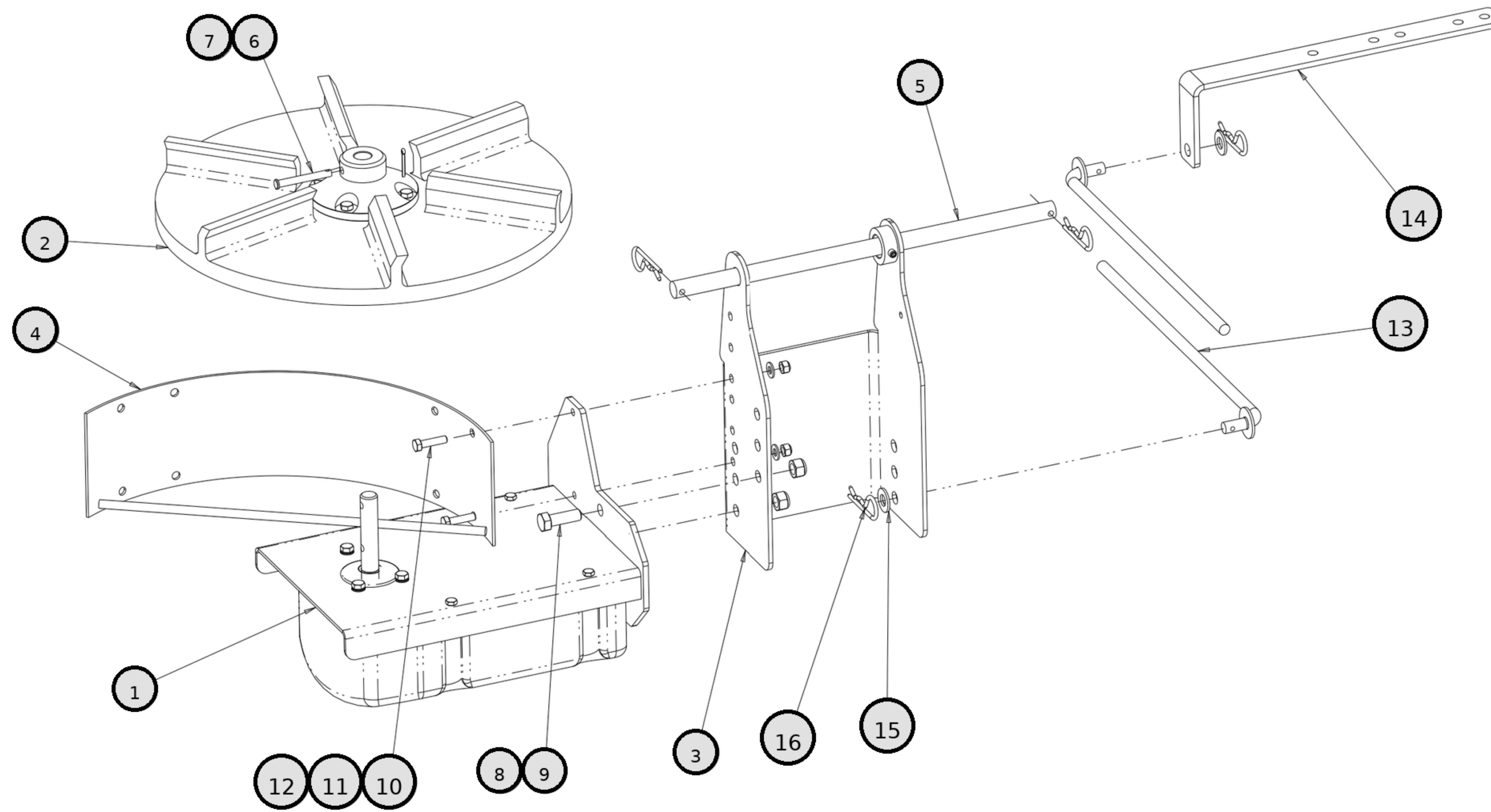
5535002



REF	PN	DESCRIPTION
1	3032173	TRAY,WELDMENT,RTS CTR DISCHARGE
1B	3032206	TRAY,WELDMENT,RTS DS DISCHARGE
2	3032188	REPLACEMENT CENTER DISCHARGE AUGER FOR SALTDOGG® 9035100 AND 9035102 SPREADERS
2B	3032191	REPLACEMENT DRIVERS SIDE DISCHARGE AUGER FOR SALTDOGG® 9035101 AND 9035103 SPREADERS
3	3032179	SCREEN,WELDMENT,RTS
3	3032179	SCREEN,WELDMENT,RTS
4	1420016	HAIR SPRING COTTER PIN,
4	1420016	HAIR SPRING COTTER PIN,
5	HP12	REPLACEMENT COTTER PIN
6	3032181	PLATE,SPINNER COVER,RTS
7	3027109	ROD,LATCH,UTS TRAY SST CW
8	3027110	ROD,LATCH,UTS TRAY SST CCW
9	3001247	NUT,HEX,NYLON INSERT, 5/8-11
9	3001247	NUT,HEX,NYLON INSERT, 5/8-11
10	3001249	SCREW,CAP,HEX HD,3/8-16X 3-1/2 SST
10	3001249	SCREW,CAP,HEX HD,3/8-16X 3-1/2 SST
11	FNE038016044SS	NUT-NYLOCK, 3/8-16 X 7/16 THK,SST
11	FNE038016044SS	NUT-NYLOCK, 3/8-16 X 7/16 THK,SST
11	FNE038016044SS	NUT-NYLOCK, 3/8-16 X 7/16 THK,SST
12	FCS038016100SS	SCREW CAP-3/8IN-16 X 1IN, HEX HEAD, SST
12	FCS038016100SS	SCREW CAP-3/8IN-16 X 1IN, HEX HEAD, SST
13	FCS038016125SS	SCREW,CAP-3/8IN-16 X 1-1/4INSST
14	9240087	GASKET,FELT BEARING SDD
15	9240086	TAILGATE SPREADER AUGER BEARINGS
16	3001255	NUT,HEX, SERRATED FLANGE 3/8-16, SST
17	3032183	COVER,GEAR MOTOR,RTS SIDE
18	3032185	COVER,WELDMENT,GEAR MOTOR RTS
19	3015873	SCREW #12-14 X .75 IN, SELF DRILL HEX
19	3015873	SCREW #12-14 X .75 IN, SELF DRILL HEX
20	3018701	SCREW,HEX HD CAP 5/16-18 X 1.0 IN,SST
21	3014455	ADAPTER, GEAR MOTOR WELDMENT
22	3000269	WASHER, FLAT,1/2IN USS, SST
23	FCS050013100SS	SCREW,CAP-1/2IN-13 X 1IN, HEX
24	3006760	SCREW,HEX HD CAP,3/8-16 X 1/2IN 18-8 SST
25	3014858	SLEEVE, AUGER ADAPTER
26	FNE050013053SS	NUT, ELASTIC STOP,1/2-13,SST
27	3001250	SCREW,CAP,HEX HD,1/2-13 X 3
28	1410200	REPLACEMENT 1-1/8 INCH SELF ALIGNING CHUTE SIDE DRIVE SHAFT TAKE-UP BEARING
29	3014755	SCREW, HCAP 7/16-14 X 1.25 SST
30	3014756	NUT, HEX NYLOCK 7/16-14 SST
31	FWF038100007SS	WASHER-FLAT USS, 3/8IN, SST

SPREADER ASSEMBLY

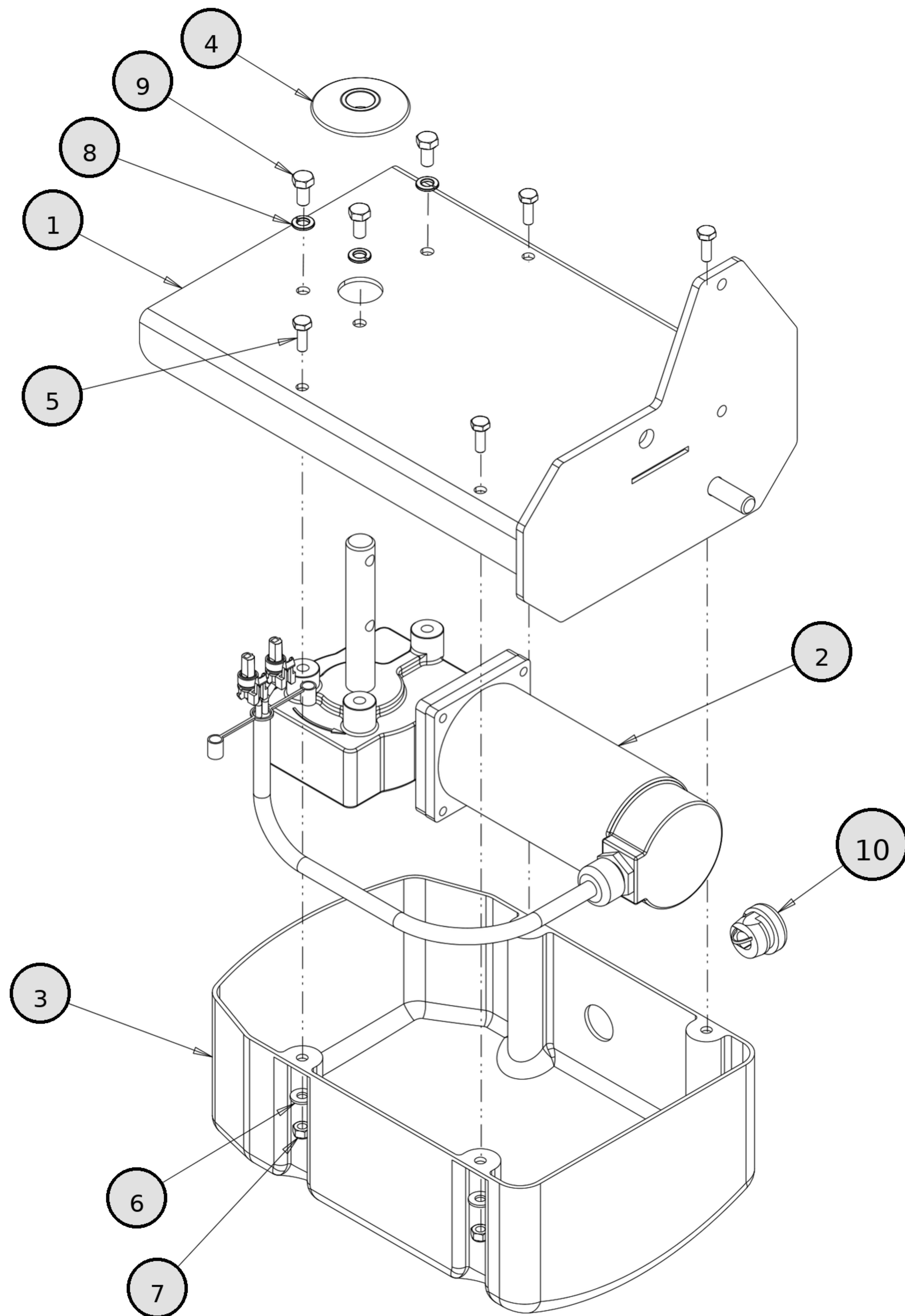
9035101 / 9035100



REF	PN	DESCRIPTION
1	3035902	SPINNER MOTOR AND BRACKET ASM
2	3035907	SPINNER ASM,18" POLY CCW
3	3017175	BRACKET,HEIGHT ADJUSTMENT
4	3006659	DEFLECTOR,SPINNER
5	3006646	ROD,HINGE
6	3007113	CLEVIS PIN
7	FPC013000100	COTTER PIN
8	FNE050013053SS	NUT,NYLON LOCKING,1/2"-13 SST
9	FCS050013150SS	SCREW,HEX,1/2-13" X 1--1/2" SST
10	0205100	SCREW,HEX,5/16"-18 X 1-1/4" SST
11	FWF031075006SS	WASHER,FLAT,5/16" SST
12	FNE031018034SS	NUT,NYLON LOCKING,5/16"-18 SST
13	924F0012	PARALLEL LINKAGE
14	3006645	ANGLE,SPINNER LUG
15	3003873	WASHER,FLAT,1/2" SST
16	HP12	COTTER PIN,HAIRPIN

SPINNER FRAME (CURRENT)

9035101 / 9035100

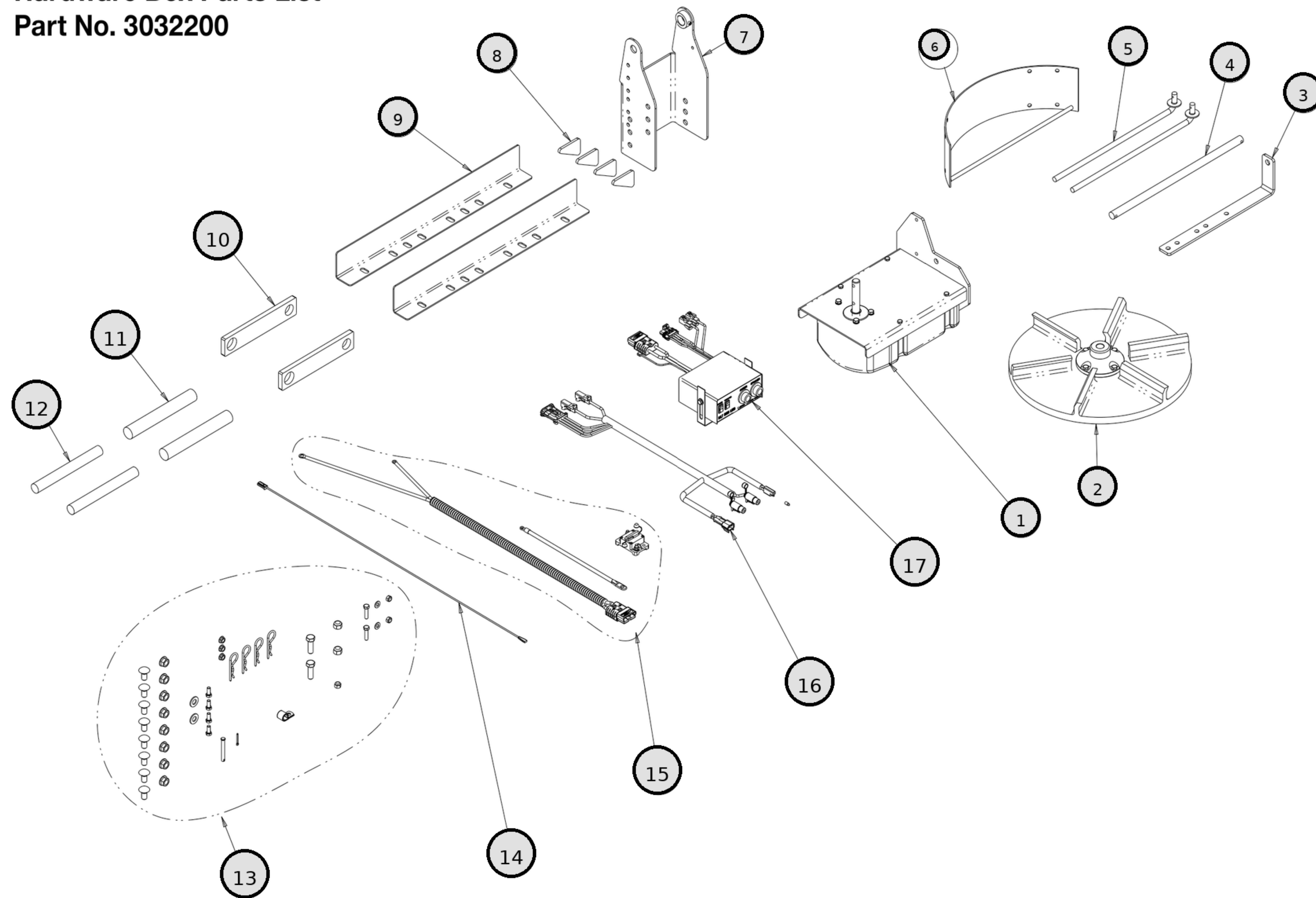


REF	PN	DESCRIPTION
1	3035903	BRACKET, SPINNER MOTOR
2	3030222	GEAR MOTOR, SPINNER
3	3030575	ENCLOSURE, GEAR MOTOR
4	3027439	SHAFT SLINGER
5	FCS025020075SS	SCREW, HEX, 1/4"-20 X 3/4" SST
6	FWF025063007SS	WASHER, FLAT, 1/4" SST
7	FNE025020031SS	NUT, NYLON LOCKING, 1/4"-20 SST
8	FWL031058008SS	WASHER, LOCKING, 5/16" SST
9	FCS031018063SS	SCREW, HEX, 5/16"-18 X 5/8" SST
10	3025065	BUSHING, STRAIN RELIEF

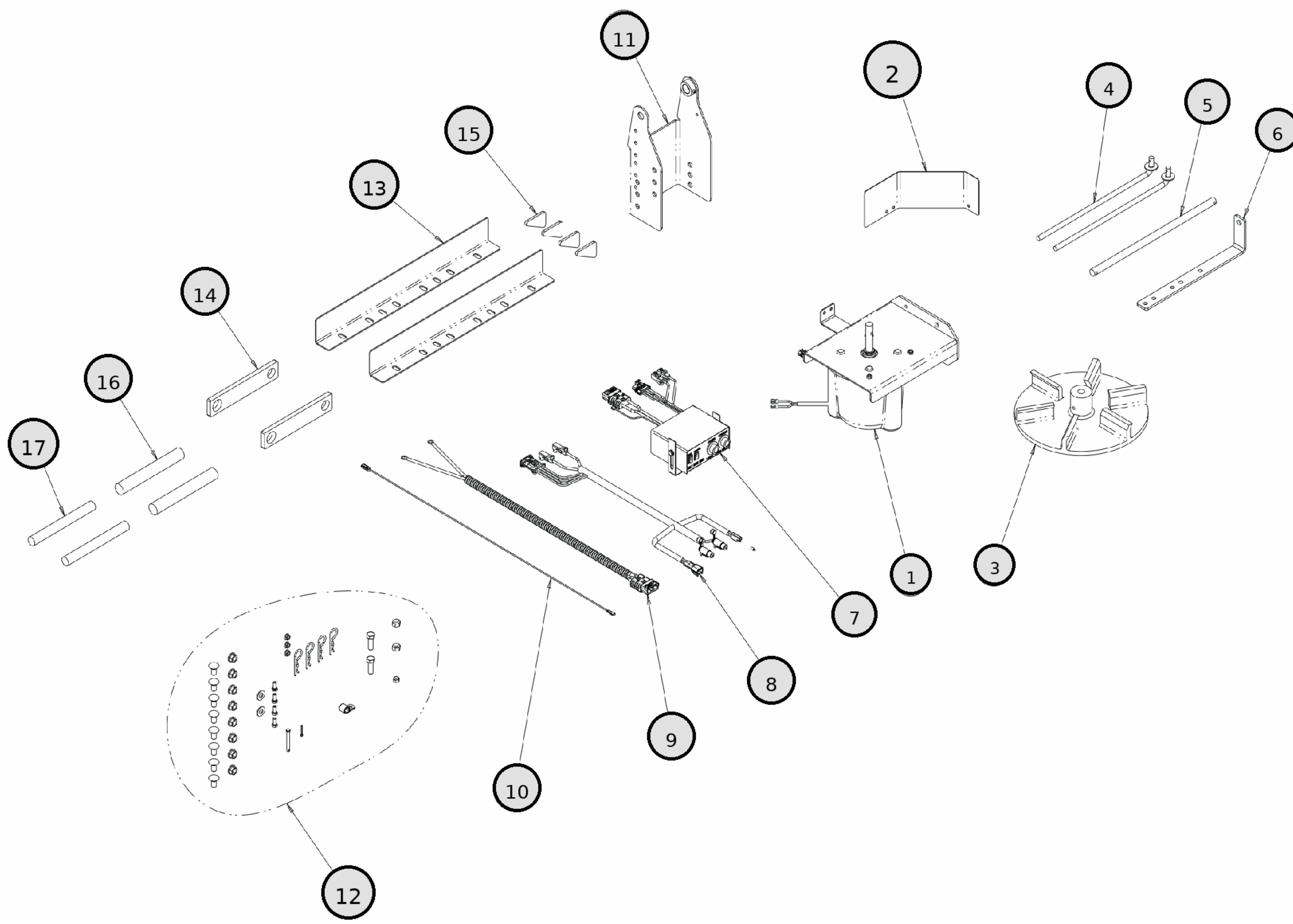
SPINNER MOTOR ASSEMBLY (CURRENT)

9035101 / 9035100

**Hardware Box Parts List -
Part No. 3032200**



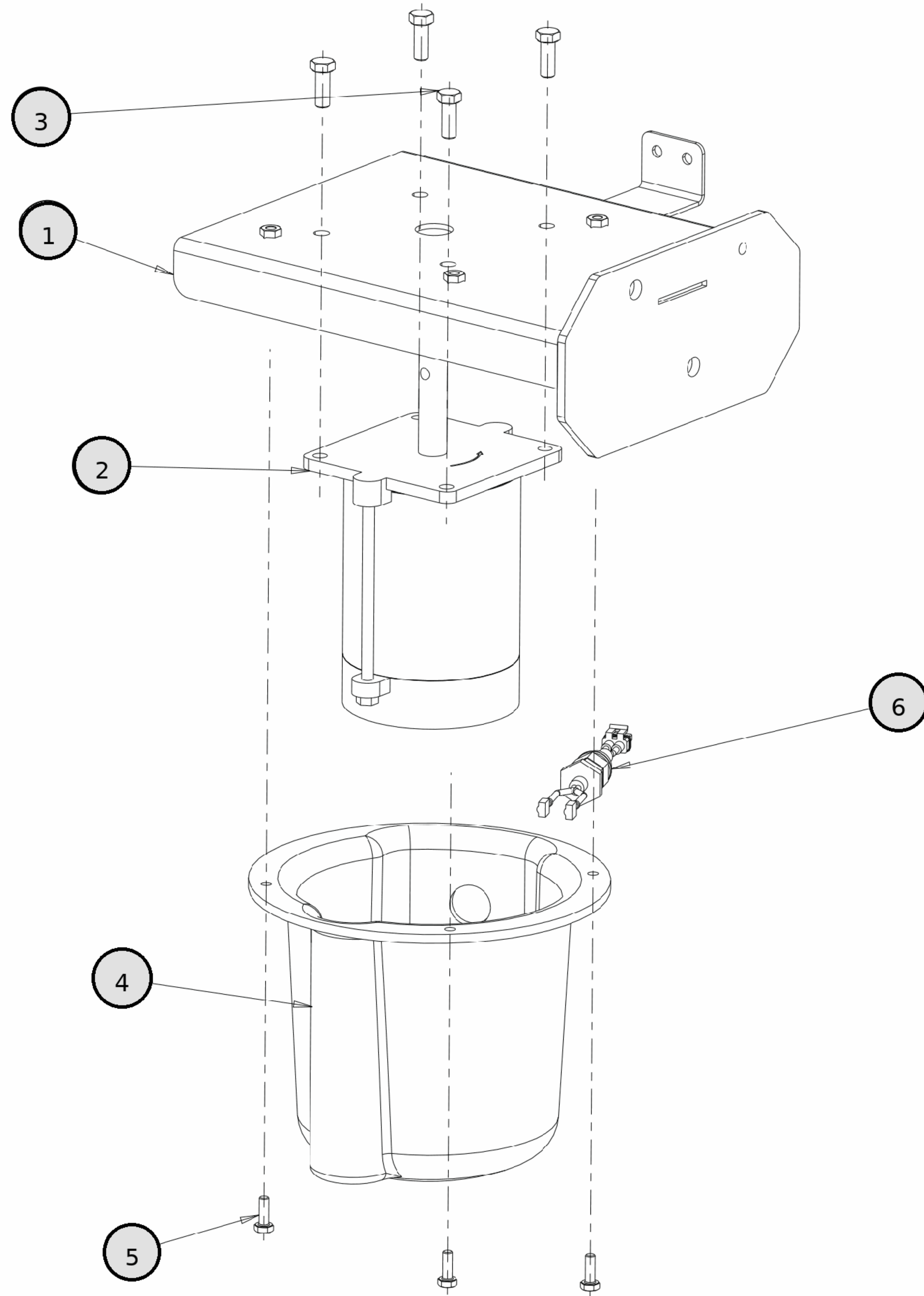
REF	PN	DESCRIPTION
1	3035902	SPINNER MOTOR AND BRACKET ASM
2	3035907	SPINNER ASM,18" POLY CCW
3	3006645	ANGLE,SPINNER LUG
4	3006646	ROD,HINGE
5	924F0012	PARALLEL LINKAGE
6	3006659	DEFLECTOR,SPINNER
7	3017175	BRACKET,HEIGHT ADJUSTMENT
8	3032180	GUSSET,SIDE EXTENSION
9	3032177	PLATE,SIDE EXTENSION
10	3032176	BAR,PIVOT
11	3032175	PIN,PIVOT,1.25" DIAMETER
12	3032204	PIN,PIVOT,1.00" DIAMETER
13	3032221	HARDWARE BAG
14	0203700	WIRE ASSEMBLY,36" LONG
15	3035938	POWER CABLE KIT(W/ CIRCUIT BREAKER)
16	3016944	WIRE HARNESS, MAIN
17	3016934	CONTROLLER



REF	PN	DESCRIPTION
1	3017176	BRACKET SPINNER MOTOR ASM
2	3017172	SHIELD, SPINNER DISK
3	3016394	REPLACEMENT 14 INCH POLY CCW SPINNER FOR SALTDOGG® SPREADER
4	924F0012	LINKAGE, PARALLEL FINISHED
5	3006646	ROD, HINGE SST
6	3006645	ANGLE, SPINNER LUG SST SDD
7	3057918	CONTROLLER, PRO
8	3016944	REPLACEMENT MAIN WIRE HARNESS WITH 2-PIN SPINNER CONNECTOR FOR SALTDOGG® SPREADERS
9	3035938	POWER CORD
10	0203700	WIRE ASSY, 36IN LONG
11	3017175	BRACKET, HEIGHT ADJUSTMENT WELDMENT
12	3032221	HARDWARE BAG, RTS ELECTRIC
13	3032177	PLATE, SPACER, RTS
14	3032176	BAR, PIVOT, RTS
15	3032180	GUSSET, PIVOT, RTS
16	3032175	PIN, PIVOT, RTS 1.25 IN DIAMETER
17	3032204	PIN, PIVOT, RTS 1 IN DIAMETER

HARDWARE BOX CONTENTS

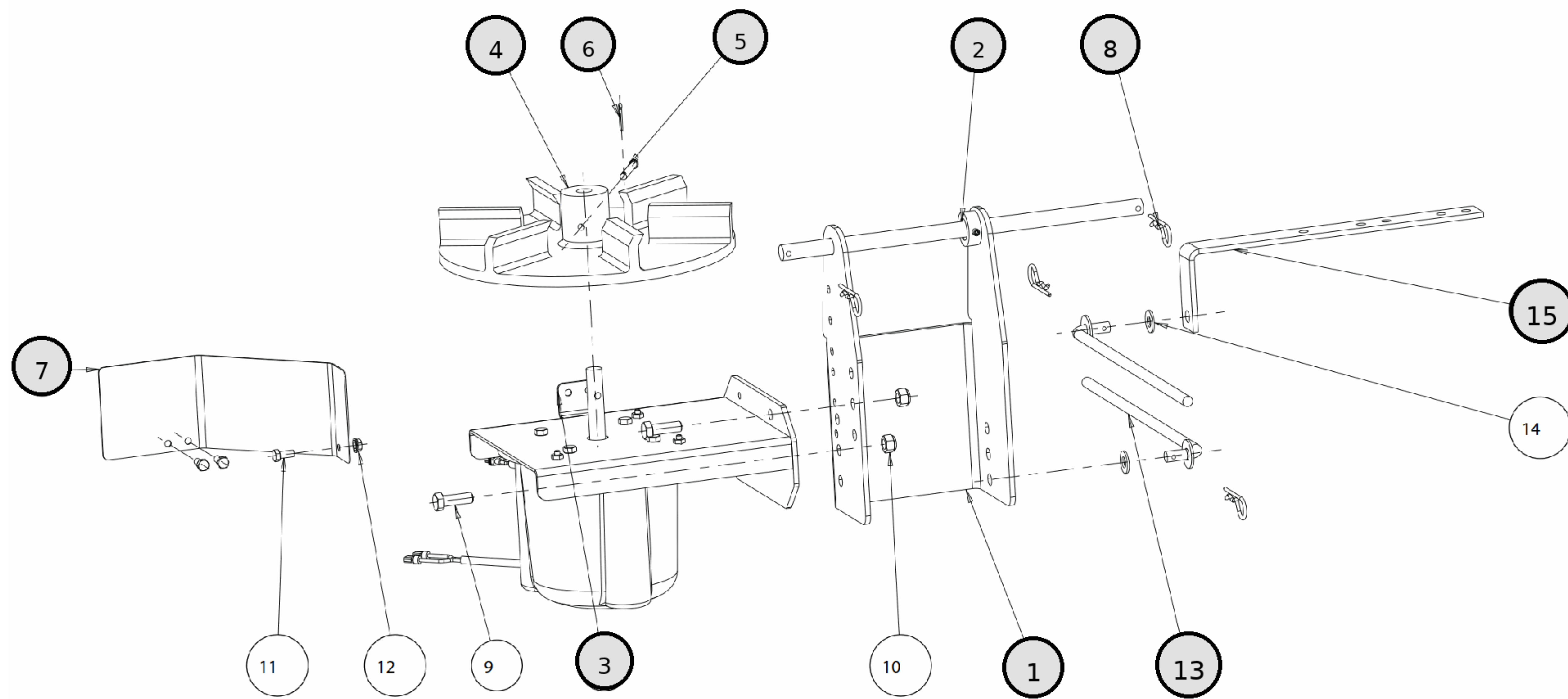
9035101 / 9035100



REF	PN	DESCRIPTION
1	3017171	BRACKET WELDMENT, SPINNER MOTOR
2	3016309	REPLACEMENT .5 HP 12VDC SPINNER MOTOR FOR SALTDOGG® SPREADERS
3	FCS038016100SS	SCREW CAP-3/8IN-16 X 1IN, HEX HEAD, SST
4	3017174	REPLACEMENT SPINNER MOTOR COVER FOR SALTDOGG® SPREADER
5	FCS025020075SS	SCREW,CAP-1/4-20 X 3/4IN,SST
6	3006753	REPLACEMENT WIRE HARNESS FOR SALTDOGG® SHPE1500 AND TG SPREADERS

SPINNER MOTOR ASSEMBLY

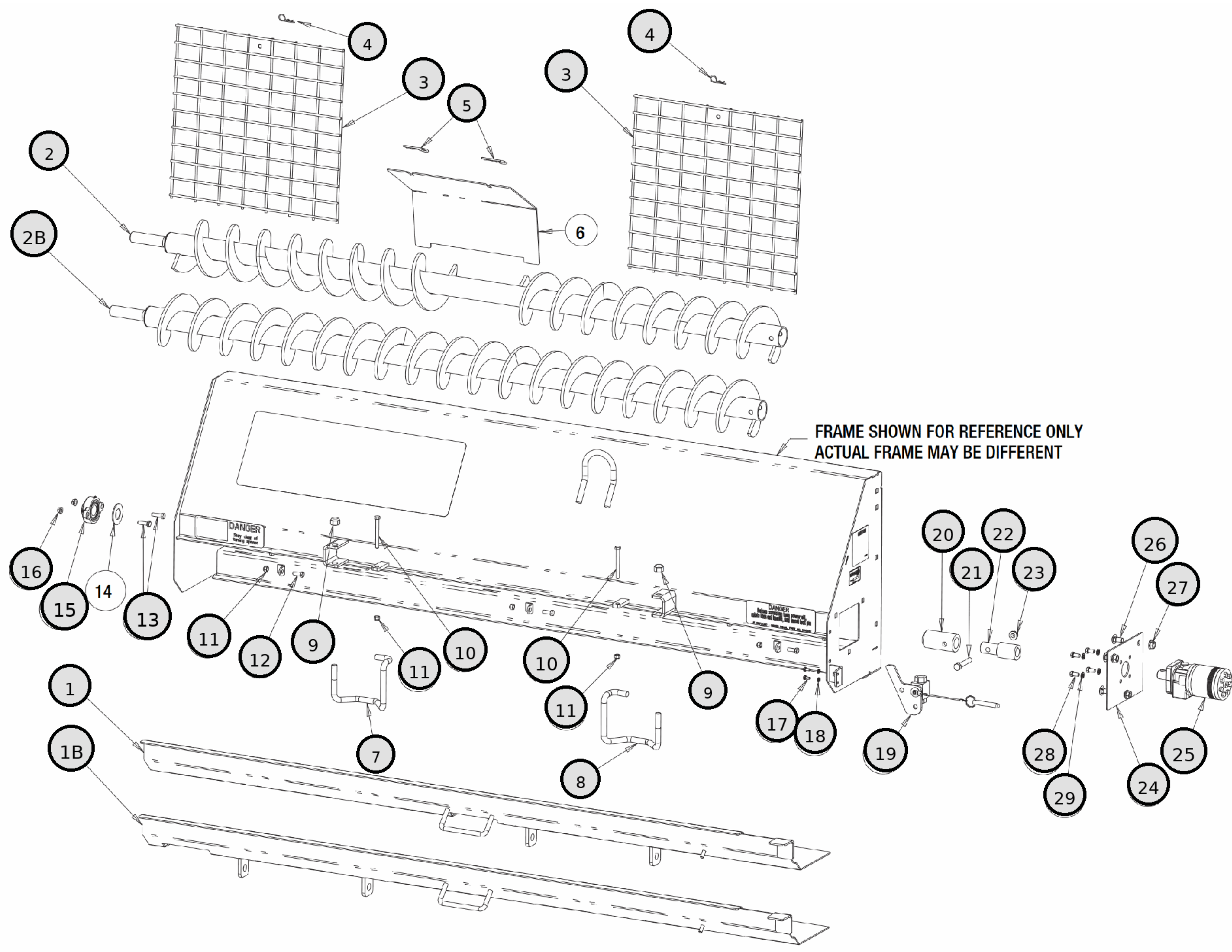
9035101 / 9035100



REF	PN	DESCRIPTION
1	3017175	BRACKET, HEIGHT ADJUSTMENT WELDMENT
2	3006646	ROD, HINGE SST
3	3017176	BRACKET SPINNER MOTOR ASM
4	3016394	REPLACEMENT 14 INCH POLY CCW SPINNER FOR SALTDOGG® SPREADER
5	3007113	CLEVIS PIN WITH 5/16 INCH DIAMETER AND 2-1/2 INCH LENGTH
6	FPC013000100	COTTER PIN 1/8IN X 1IN ZN
7	3017172	SHIELD, SPINNER DISK
8	625	CLAMP, HOSE .625, 13/32 HOLE
13	924F0012	LINKAGE, PARALLEL FINISHED
15	3006645	ANGLE, SPINNER LUG SST SDD

SPINNER FRAME

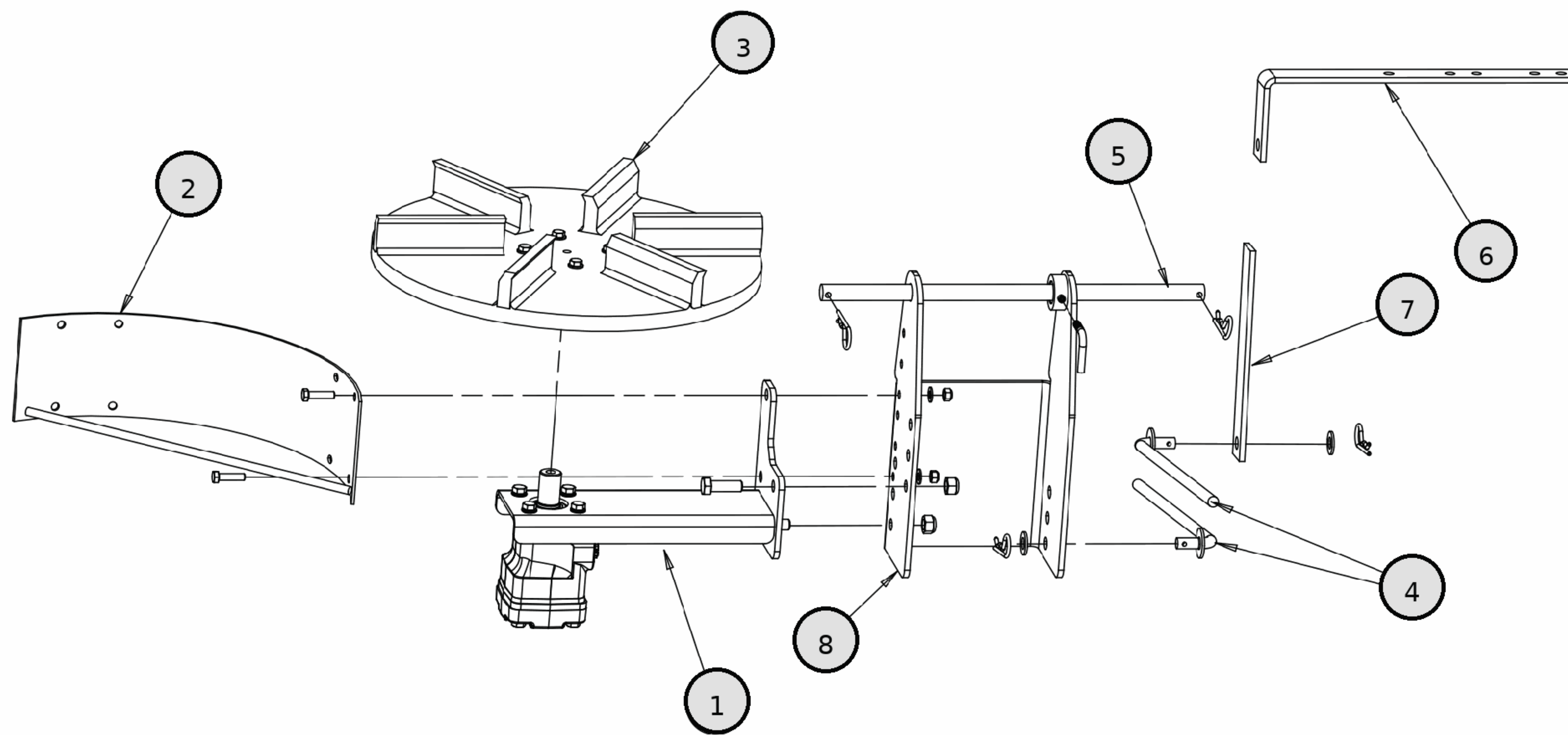
9035101 / 9035100



REF	PN	DESCRIPTION
1	3032173	TRAY,WELDMNT,RTS CTR DISCHARGE
1B	3032206	TRAY,WELDMNT,RTS DS DISCHARGE
2	3032188	REPLACEMENT CENTER DISCHARGE AUGER FOR SALTDOGG® 9035100 AND 9035102 SPREADERS
2B	3032191	REPLACEMENT DRIVERS SIDE DISCHARGE AUGER FOR SALTDOGG® 9035101 AND 9035103 SPREADERS
3	3032179	SCREEN,WELDMNT,RTS
3	3032179	SCREEN,WELDMNT,RTS
4	1420016	HAIR SPRING COTTER PIN,
4	1420016	HAIR SPRING COTTER PIN,
5	HP12	REPLACEMENT COTTER PIN
6	3032181	PLATE,SPINNER COVER,RTS
7	3027109	ROD,LATCH,UTS TRAY SST CW
8	3027110	ROD,LATCH,UTS TRAY SST CCW
9	3001247	NUT,HEX,NYLON INSERT, 5/8-11
9	3001247	NUT,HEX,NYLON INSERT, 5/8-11
10	3001249	SCREW,CAP,HEX HD,3/8-16X 3-1/2 SST
10	3001249	SCREW,CAP,HEX HD,3/8-16X 3-1/2 SST
11	FNE038016044SS	NUT-NYLOCK, 3/8-16 X 7/16 THK,SST
11	FNE038016044SS	NUT-NYLOCK, 3/8-16 X 7/16 THK,SST
11	FNE038016044SS	NUT-NYLOCK, 3/8-16 X 7/16 THK,SST
12	FCS038016100SS	SCREW CAP-3/8IN-16 X 1IN, HEX HEAD, SST
13	FCS038016125SS	SCREW,CAP-3/8IN-16 X 1-1/4INSST
15	9240087	GASKET,FELT BEARING SDD
16	3014756	NUT, HEX NYLOCK 7/16-14 SST
17	3008549	SCREW,HEX HD CAP,1/4-20 X .500IN, SST
18	FWL025050006SS	WASHER,SPLIT LOCK,1/4IN,SST
19	3008523	BALL VALVE ASSEMBLY,UTS
20	9240083	SLEEVE, AUGER, (SDD)
21	3001250	SCREW,CAP,HEX HD,1/2-13 X 3
22	924F0084	ADAPTOR, FINISHED
23	3001253	NUT,HEX HD,REVERSIBLE LOCKNUT
24	3001367	PLATE, MOTOR MOUNT
25	CM074P	HYDRAULIC MOTOR
26	3001522	BOLT,CARRIAGE,1/2-13 X 1 SST
27	3001523	NUT,HEX, SERRATED FLANGE,1/2-13, SST
28	FCS038016075SS	SCREW,HEX HD CAP 3/8-16X3/4SST
29	FWL038069009SS	WASHER,SPLIT LOCK, 3/8IN, SST

SPREADER ASSEMBLY

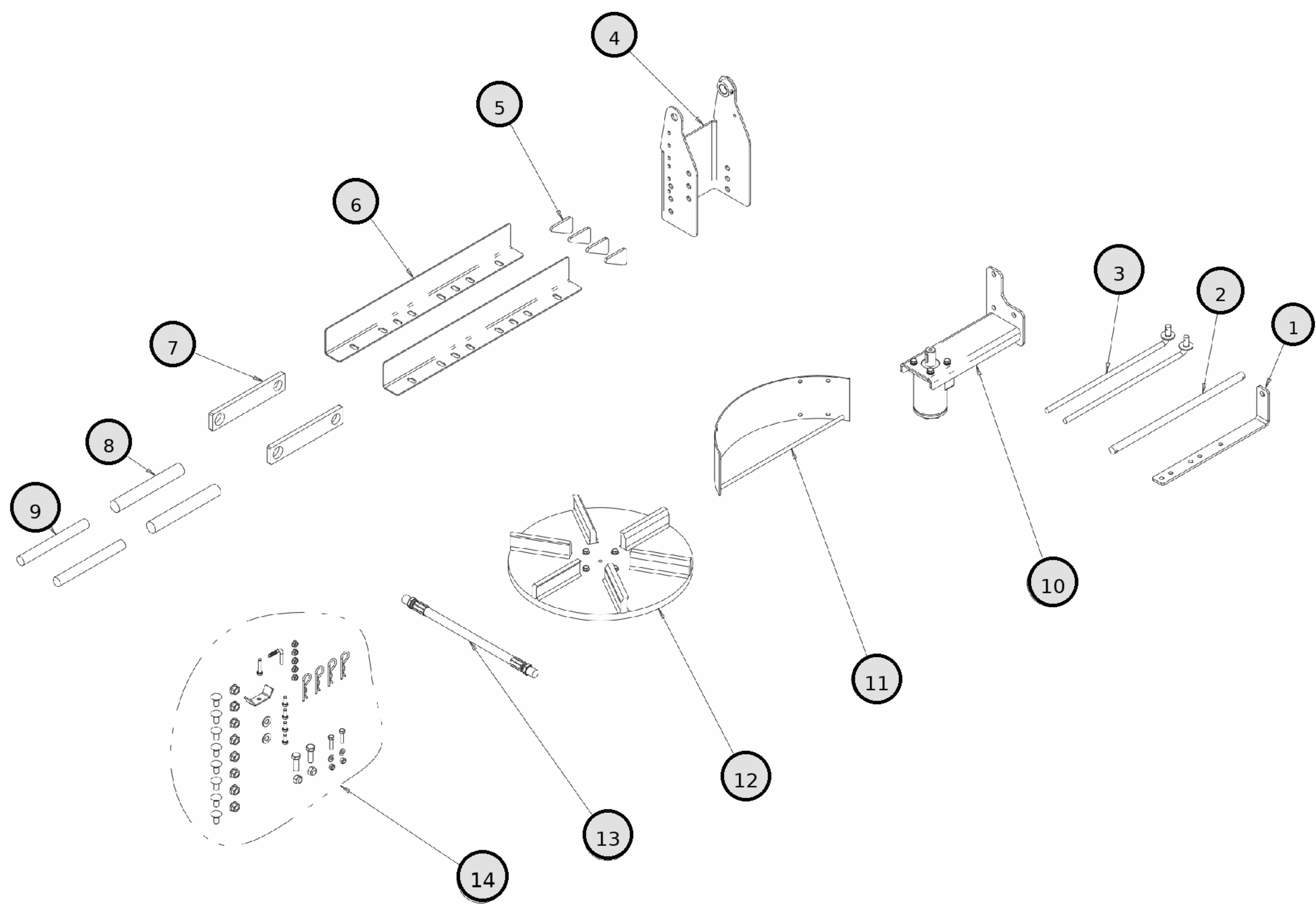
9035103 / 9035102



REF	PN	DESCRIPTION
1	3018416	FRAME ASM,SPINNER,SST UTS
2	3006659	SHIELD,SPINNER WELDMENT,SST UTS
3	3001472A	REPLACEMENT 18 INCH HYDRAULIC POLY SPINNER DISK ASSEMBLY FOR SALTDogg® SPREADER
3	9240016	SPINNER ONLY, 18IN POLY, CCW
3	924F0017A	SPINNER HUB ONLY
4	924F0012	LINKAGE,PARALLEL FINISHED
5	3006646	ROD, HINGE SST
6	3006645	ANGLE,SPINNER LUG SST SDD
7	924F0014	BAR,FINISHED PAINTED BLACK
8	3017175	BRACKET, HEIGHT ADJUSTMENT WELDMENT

SPINNER ASSEMBLY

9035103 / 9035102



REF	PN	DESCRIPTION
1	3006645	ANGLE,SPINNER LUG SST SDD
2	3006646	ROD, HINGE SST
3	924F0012	LINKAGE,PARALLEL FINISHED
4	3017175	BRACKET, HEIGHT ADJUSTMENT WELDMENT
5	3032180	GUSSET,PIVOT,RTS
6	3032177	PLATE,SPACER,RTS
7	3032176	BAR,PIVOT,RTS
8	3032175	PIN,PIVOT,RTS 1.25 IN DIAMETER
9	3032204	PIN,PIVOT,RTS 1 IN DIAMETER
10	3018416	FRAME ASM,SPINNER,SST UTS
11	3006659	SHIELD,SPINNER WELDMENT,SST UTS
12	3001472A	REPLACEMENT 18 INCH HYDRAULIC POLY SPINNER DISK ASSEMBLY FOR SALTDogg® SPREADER
12	9240016	SPINNER ONLY, 18IN POLY, CCW
12	924F0017A	SPINNER HUB ONLY
13	3008112	HOSE,UTS,DIRECT DRIVE
14	3032222	HARDWARE BAG,RTS HYDRAULIC

HARDWARE BOX CONTENTS

9035103 / 9035102